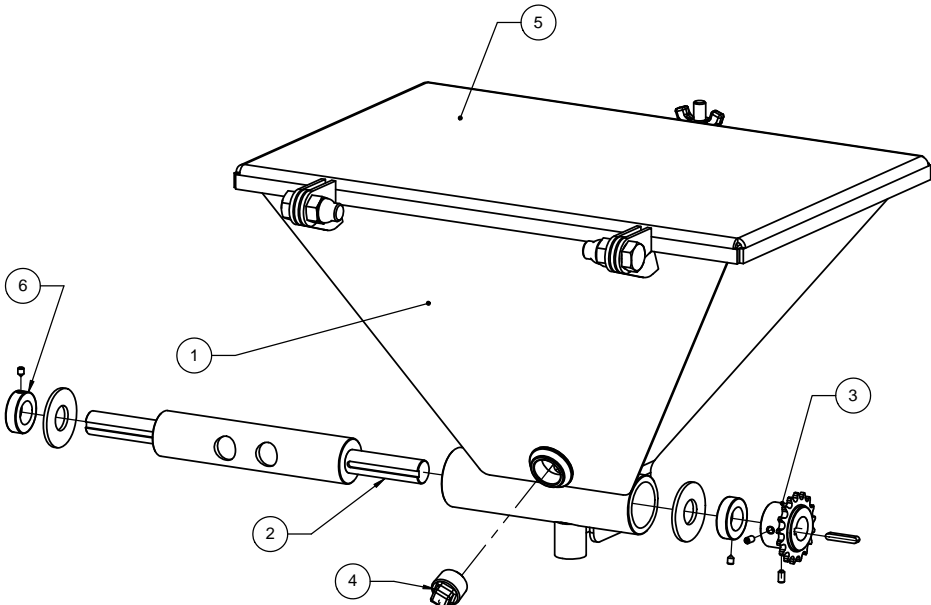


ITEM NO.
1
2
3
4
5
6
7
8
9
10

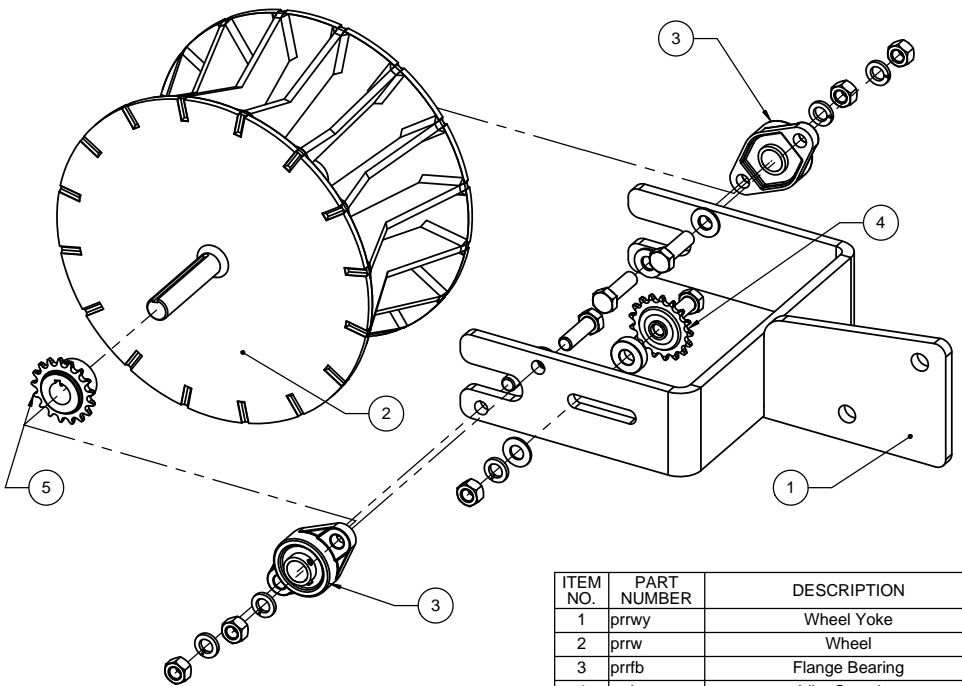
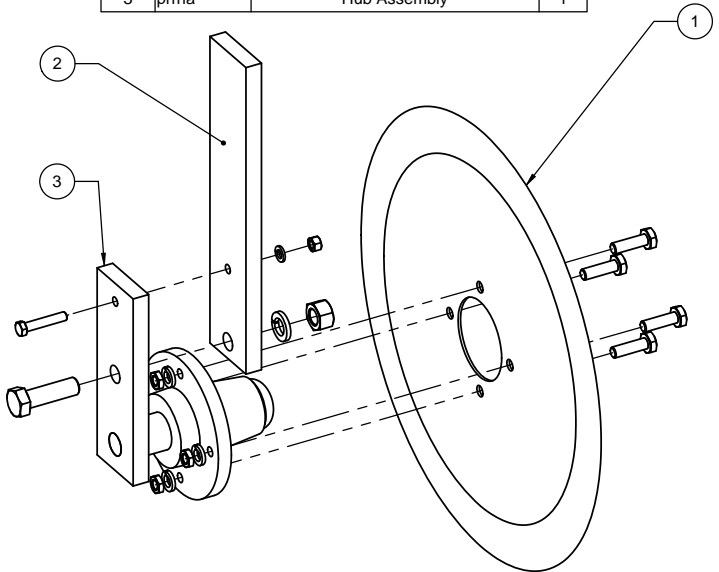
PROPRIETARY AND CONFIDENTIAL
 THE INFORMATION CONTAINED IN THIS
 DRAWING IS THE SOLE PROPERTY OF
 ArmstrongAg. ANY
 REPRODUCTION IN PART OR AS A WHOLE
 WITHOUT THE WRITTEN PERMISSION OF
 ArmstrongAg IS
 PROHIBITED.

		UNLESS OTHERWISE SPECIFIED:	NAME	DATE	ArmStrongAg
		DIMENSIONS ARE IN INCHES	DRAWN		
		TOLERANCES:	CHECKED		Rodent Ridder
		FRACTIONAL: ±	ENG APPR		Assembly
		ANGULAR: MACH ± BEND ±	MFG APPR		
		TWO PLACE DECIMAL ±	D.A.		SIZE DWG. NO.
		THREE PLACE DECIMAL ±	COMMENTS:		C RR Assembly 1
		INTERPRET GEOMETRIC TOLERANCING PER:			SCALE: 1:5 WEIGHT: 460.34 SHEET 1 OF 2
		MATERIAL:			
		FINISH:			
NEXT ASSY	USED ON	APPLICATION			
		DO NOT SCALE DRAWING			

ITEM NO.
1
2
3
4
5
6



ITEM NO.	PART NUMBER	DESCRIPTION	QTY.
1	prrc	Coulter	1
2	prcs	Coulter Shank	1
3	prrha	Hub Assembly	1



ITEM NO.	PART NUMBER	DESCRIPTION	QTY.
1	prrwy	Wheel Yoke	1
2	prrw	Wheel	1
3	prrfb	Flange Bearing	2
4	prris	Idler Sprocket	1
5	prrds	40P 17T Sprocket	1

PROPRIETARY AND CONFIDENTIAL
 THE INFORMATION CONTAINED IN THIS
 DRAWING IS THE SOLE PROPERTY OF
 ArmstrongAg. ANY
 REPRODUCTION IN PART OR AS A WHOLE
 WITHOUT THE WRITTEN PERMISSION OF
 ArmstrongAg IS
 PROHIBITED.

		UNLESS OTHERWISE SPECIFIED:	NAME	DATE
		DIMENSIONS ARE IN INCHES	DRAWN	
		TOLERANCES:	CHECKED	
		FRACTIONAL: ±	ENG APPR	
		ANGULAR: MACH ± BEND ±	MFG APPR	
		TWO PLACE DECIMAL ±	D.A.	
		THREE PLACE DECIMAL ±	COMMENTS:	
		INTERPRET GEOMETRIC TOLERANCING PER MATERIAL		
		FINISH		
NEXT ASSY	USED ON	APPLICATION		
		DO NOT SCALE DRAWING		

ArmStrongAg		
TITLE: Rodent Ridder Assembly		
SIZE	DWG. NO.	REV
C	RR Assembly	1
SCALE: 1:4	WEIGHT: -	SHEET 2 OF 2