

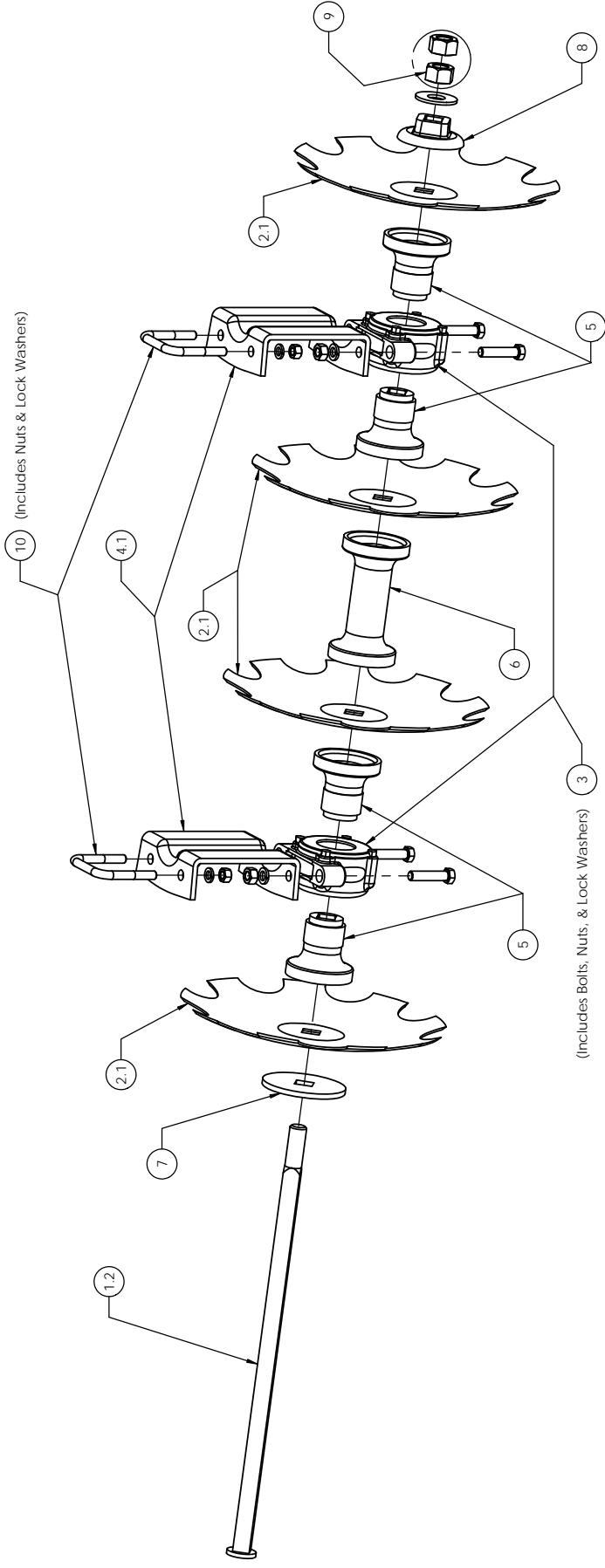


MEDIUM DISC HAROWS
MD1216, MD1616, MD1618, MD2018
Operator Manual



YOU are responsible for the SAFE operation and maintenance of your Armstrong Ag disc.

1. Use only a tractor with sufficient power (6hp/ft.).
2. Use front weights if required for stability.
3. Properly attach disc to tractor (lynch pins & stabilizer).
4. Level main frame side to side.
5. For leveling front to rear:
With disc slightly above ground, rear gangs should be level or lower than front.
6. Check all bolts and nuts, frame and gang assemblies.
7. Grease bearings every 6 hrs. (do not over grease)
8. Warranty claims must be directed to Armstrong Ag
@ 1-800-880-0313. (12 months)



ITEM NO.	PART NUMBER	DESCRIPTION	WEIGHT "LBS"
1.1	PMD101A	1" SQ. Medium Disc Axle - 19" Long (MD1216)	5.29
1.2	PMD101B	1" SQ. Medium Disc Axle - 26.5" Long (MD1616 & MD1618)	7.40
1.3	PMD101C	1" SQ. Medium Disc Axle - 33.5" Long (MD2018)	9.22
2.1	PMD10216	16" x 1" SQ Axle, Notched Disc	5.69
2.2	PMD10218	18" x 1" SQ Axle, Notched Disc	7.63
3	PMD108	Bearing Assembly	6.94
4.1	PMD109A	16" BLADE BEARING HANGER	6.72
4.2	PMD109B	18" BLADE BEARING HANGER	7.71
5	PMD113	Half Spacer Spool	3.53
6	PMD114	Full Spacer Spool	5.645
7	PMD115	End Cap (Head Side)	1.53
8	PMD116	End Cap (Nut End)	1.935
9	PMD120	24mm Nut	0.04
10	P12X3U	1/2" U-Bolt w/ Nuts & Washers	0.585

PART NUMBER	DESCRIPTION	WEIGHT "LBS"
PMD1216G	MD1216 - GANG ASSEMBLY W/ HANGERS	77
PMD1616G	MD1616 - GANG ASSEMBLY W/ HANGERS	93
PMD1816G	MD1618 - GANG ASSEMBLY W/ HANGERS	105
PMD2018G	MD2018 - GANG ASSEMBLY W/ HANGERS	135